



MAGICART is a leading manufacturer and service provider of cranes and material handling equipment, dedicated to the R & D, design, manufacturing, installation and service of cranes and material handling technology.

MAGICART owns comprehensive products, reliable quality, excellent performance, efficient service. The products are distributed in more than 30 countries and regions around the world. It is widely used in more than 20 professional fields, such as equipment manufacturing, logistics, energy, electric power, shipbuilding, metallurgy, ports, infrastructure, metal processing, hydropower stations, automobile manufacturing, and aerospace.

MAGICART's main products are overhead crane, gantry crane, rubber tyred gantry crane, portal jib crane, dock arm, jib crane, electric hoist, customized crane system and lifting accessories. MAGICART has saved customers huge cost in machine purchase and life cycle operating after long-term technological innovation.

Through long-term unremitting efforts , MAGICART will provide clients with the best cost-effective products to fulfill its mission: **promote client's business!**

XINXIANG MAGICART CRANES CO. LTD  
新乡市魔工起重机有限公司

Email: [info@magicartcranes.com](mailto:info@magicartcranes.com)

Tel: +86 373 5853707 +86 373 5853727  
[www.magicartcranes.com](http://www.magicartcranes.com)  
Add: #1523 Gongyuanguoji, Xinxiang City, Henan, China.

# Mobile Boat Hoist



**Powerboat**

Lift, transfer, launch and retrieve of power boat in port , shipyard.

**Tugs & OSVS**

To launch or repair, the mobile boat hoist is a good choice.

**Sailboat**

To serve the sailboat production and launch it to the lake and sea.

**Barges**

In barges fabrication and repair, a boat hoist can do various job .

**Yacht**

Professional lifting machine and hauler for yacht to repair yard.

**Shipyard**

A better lifting equipment with high mobility for ship repair

# Advantages & Features

BH model Boat Hoist is a boat lifting equipment of MAGICART designed for boat transfer, launch and maintenance, owns high investment value for shipyard.

## Features & advantages

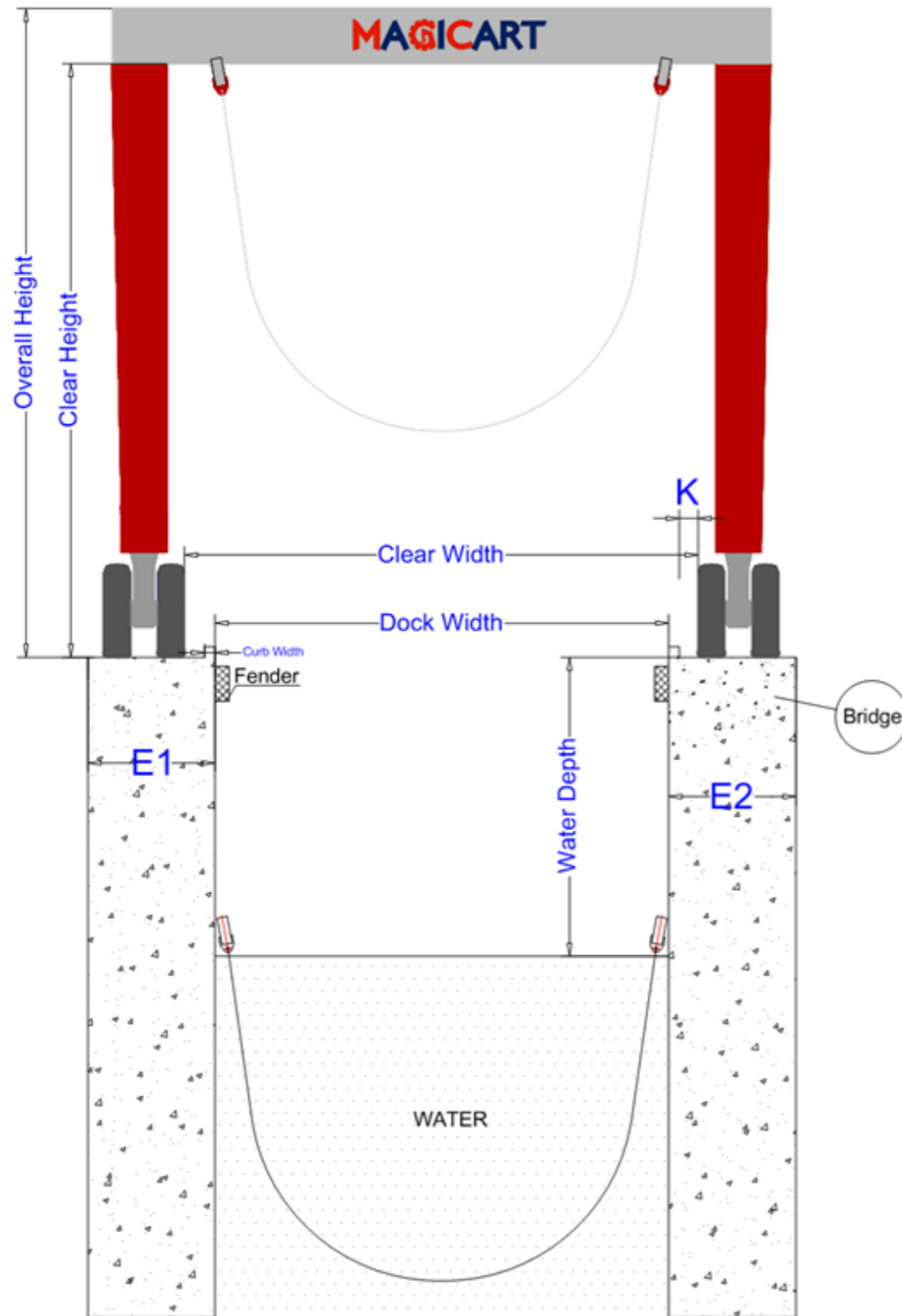
- Overhead protection & weighting system
- Lifting height protection in max and min
- Fault alarm and diagnose system
- Full protection system for safety design
- Qualified & reliable components
- High-efficient working ability
- Simple & minimal maintenance demand
- Easy operation design
- Full functional test before delivery
- Warranty for 2 years
- Free 2 years spare parts supply
- Mature site installation services
- 5 steer modes design for all condition
- Portable wireless controller
- 4 travel motion alarms
- Wind speed protection system
- 3%~10% gradient travel design
- Powered by Diesel Engine
- Danfoss or Rexroth hydraulic system
- Two options for 2 or 4 wheel steer
- Carousal 360° / Diagonal / 90° transverse
- Operation station for standby
- Programmable PLC Electronic Control System
- Electronic, stepless speed, infinitely variable controls for hoisting, traverse and travel.
- High strength protective sling belts



## • Main Parts Reference



# Model Selection



• Color—WB



• Color—RW



• Color—BL

Model	Load Capacity	Clear Width	Clear Height
BH 10	10T	4.9m	5.1m
BH 15	15T	5.6m	5.8m
BH 25	25T	5.6m	5.8m
BH 35	35T	5.6m	5.8m
BH 50	50T	6.4m	6.6m
BH 75	75T	7.5m	7.0m
BH100	100T	8.4m	8.1m
BH150	150T	9.0m	9.4m
BH200	200T	9.6m	10m
BH250	250T	9.6m	10m
BH300	300T	10.2m	10.6m
BH400	400T	11.0m	11.4m
BH500	500T	12m	12.4m
BH600	600T	13m	13.4m
BH700	700T	14m	14.4m
BH800	800T	15m	15.4m
BH1000	1000T	17m	17.4m
Customized	Customized	Customized	Customized

**1) Necessary Info needed from client**

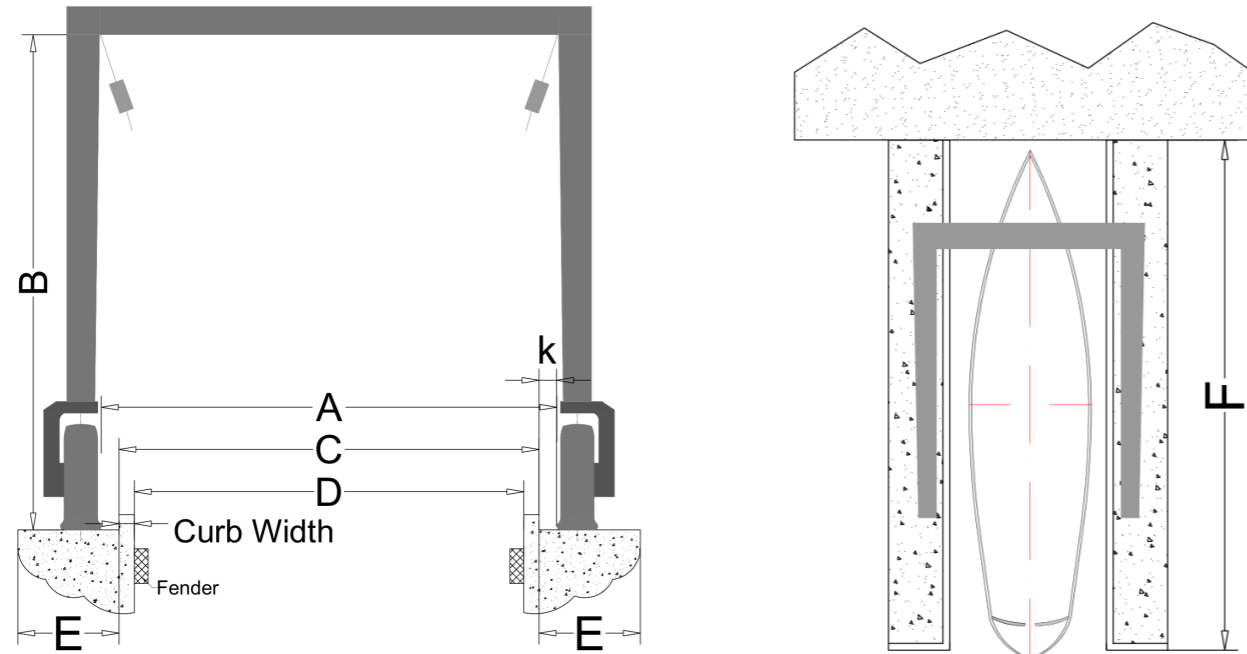
- Model of Boat hoist or Maximum weight of boat
- Note: we can provide a standard offer with our standard drawing for client to design its marina (dock)

**2) More info needed from client ( if available)**

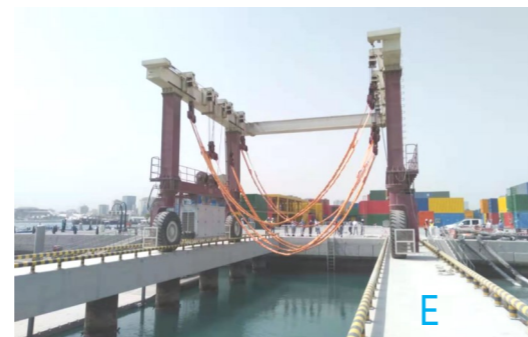
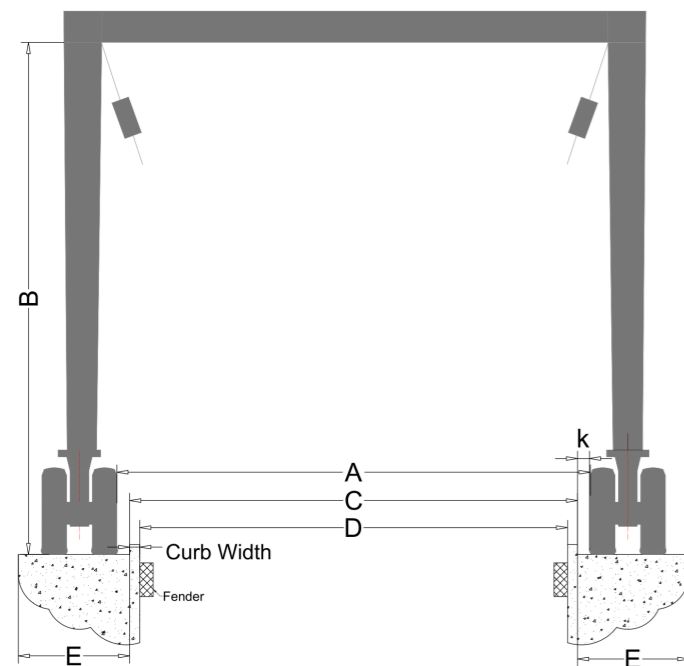
- Type of Boat
- Clear width
- Clear height
- Max weight of boat
- Max. Size of boat
- Marina (dock) Drawing or size (see below)
- Dock Width: \_\_\_\_\_mm
- Bridge width - E1/E2: \_\_\_\_/\_\_\_\_mm
- Bridge Length- F: \_\_\_\_\_mm
- Water Depth: \_\_\_\_\_mm

# Marina (Dock) Size (for reference only)

## \*Single Tire (capacity 10 ~ 100 ton)



## \*Double Tire (capacity 150 ~ 1000 ton)



1. Clear width "A" is shown for a standard machine. Dimension "A" can be designed to suit customer's desired width. Dimensions "C" and "D" will change by the same amount.
2. Dimension "D" is the minimum recommended. This dimension can be increased slightly by increasing clear width "A"
3. Excessively increasing the curb width or dimension "A" without increasing dimension "C" may cause interference when attempting to lower the sling blocks past the dock.
4. The minimum dock width "E" is the width of the dock required to provide a minimum tire space on both sides of the tires when traveling on a dock. This width "E" does not include space for a walkway or the curb width.
5. The customer must obtain approved plans from his own engineering firm for actual Marina construction.

MODEL	Clear Width (m)	Clear Height (m)	Outside Curb Width (m)	Inside Dock Width (m)	Minimum Bridge Width (m)	Recommended Minimum Bridge Length (m)	Curb Width (m)	Minimum Tire to Curb (m)	Wheel Loads (Reference) Per Corner (ton)		Tire per Corner	Approx. Ground Pressure
	A	B	C	D	E	F	Per Side	K	VERTICAL	LATERAL	QTY	kg/cm2
BH 10	4.9	5.1	4.7	4.5	0.8	12.0	0.1	0.1	10.0	1.0	1	9
BH 15	5.6	5.8	5.4	5.2	0.8	14.0	0.1	0.1	10.0	1.0	1	9
BH 25	5.6	5.8	5.4	5.2	0.8	14.0	0.1	0.1	10.0	1.0	1	9
BH 35	5.6	5.8	5.4	5.2	0.8	16.0	0.1	0.1	14.0	1.4	1	9
BH 50	6.4	6.6	6.2	6.0	1.0	17.0	0.1	0.1	21.0	2.1	1	9
BH 60	6.6	6.8	6.4	6.2	1.0	18.0	0.1	0.1	14.0	1.4	1	10
BH 75	7.5	7	7.3	7.1	1.0	19.0	0.1	0.1	28.0	2.8	1	10
BH 100	8.4	8.1	8.2	8	1.4	23.0	0.1	0.1	41.0	4.1	1	9.5
BH 150	9.0	9.4	8.7	8.4	1.8	28.0	0.1	0.15	60	6	2	10.5
BH 200	9.6	10.0	9.3	9.0	2.1	31.0	0.1	0.15	85	9	2	10.0
BH 250	9.6	10.0	9.3	9.0	2.3	31.0	0.1	0.15	110	11	2	9.5
BH 300	10.2	10.6	9.9	9.6	2.4	31.0	0.1	0.15	130	13	2	10.0
BH 400	11.0	11.4	10.7	10.4	2.8	37.0	0.1	0.15	170	17	2	9.5
BH 500	12.0	12.4	11.7	11.4	2.8	40.0	0.1	0.15	225	23	4	9.5
BH 600	13.0	13.4	11.7	11.4	2.8	46.0	0.1	0.15	280	28	4	10.0
BH 700	14.0	14.4	11.7	11.4	3.2	46.0	0.1	0.15	330	33	4	9.5
BH 800	15.0	15.4	14.7	14.4	4.5	55.0	0.1	0.15	370	37	2	10.0
BH 1000	17.0	17.4	16.7	16.4	4.5	61.0	0.1	0.15	500	50	4	10.0